

SoGEA

What Is SoGEA Broadband?

SoGEA stands for Single Order Generic Ethernet Access.

Up until now, to deliver broadband to a home or office, you needed to have a traditional phone line installed and then ADSL Broadband or Fibre Broadband installed on top of it.

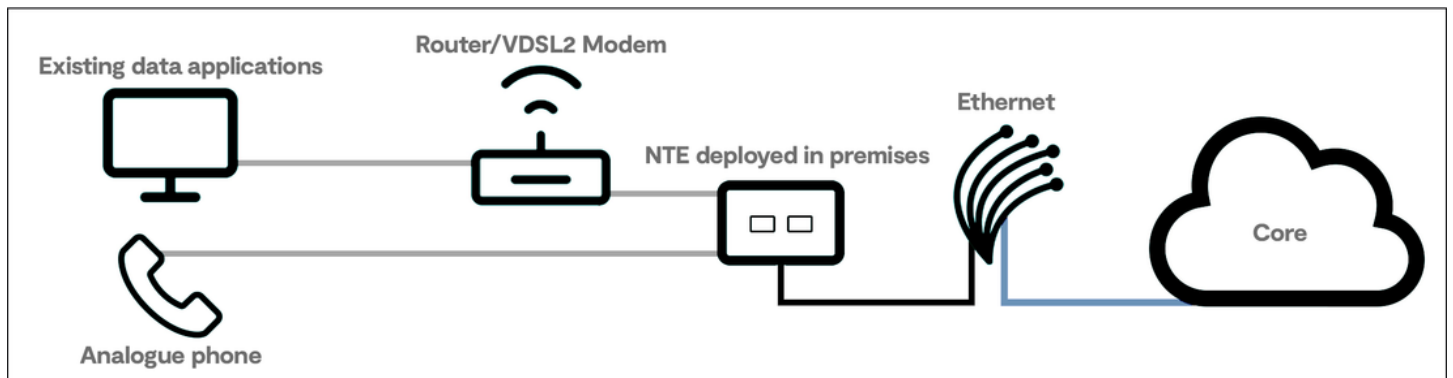
In the world of technology today most people only have this fixed line because it is necessary for their broadband to work. With the advancement and cost effectiveness of mobile handsets and VoIP, and the nationwide rollout of full fibre networks, there is less and less requirement for traditional phone services. SoGEA enables businesses to buy a broadband connection without the need for a phone line.



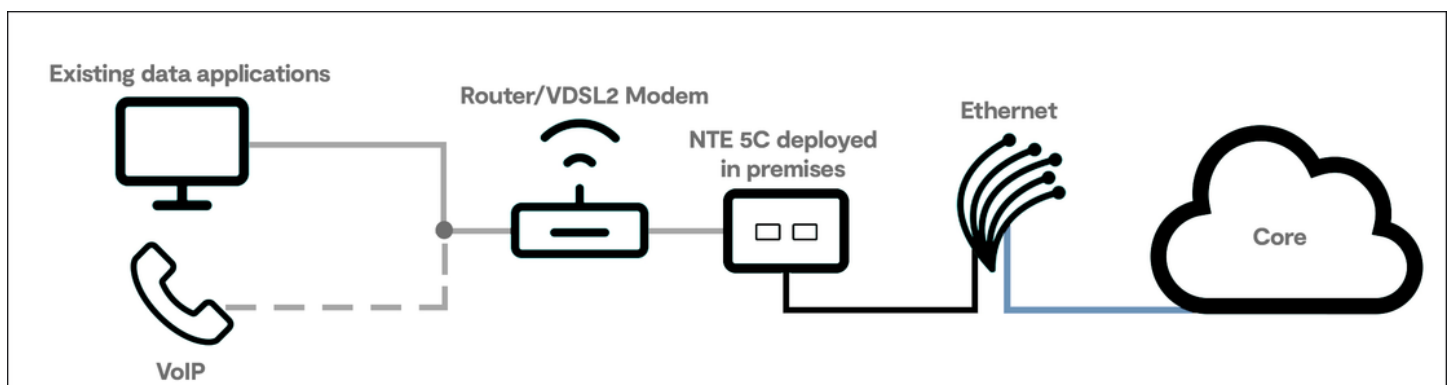
This will allow providers to slightly reduce the cost whilst offering fast and reliable broadband to consumers.

Speak to our sales team about the available cloud based voice options, such as Hosted or SIP Trunk telephony.

Today - Separate Products



Tomorrow - Single Access



What Are The Benefits Of SoGEA?



Great prices and packages available



Future-proof connectivity



Full support with quicker fix times



Enables easier home working solutions



Speeds:

The up-to speeds currently available are:

SoGEA 40mb / 10mb

SoGEA 55mb / 10mb

SoGEA 80mb / 20mb



No need for a traditional phone line to be installed for your business - instead SoGEA works with modern VoIP services

Ready For SoGEA?

Get a free quick quote today on our industry-leading packages and prices.

